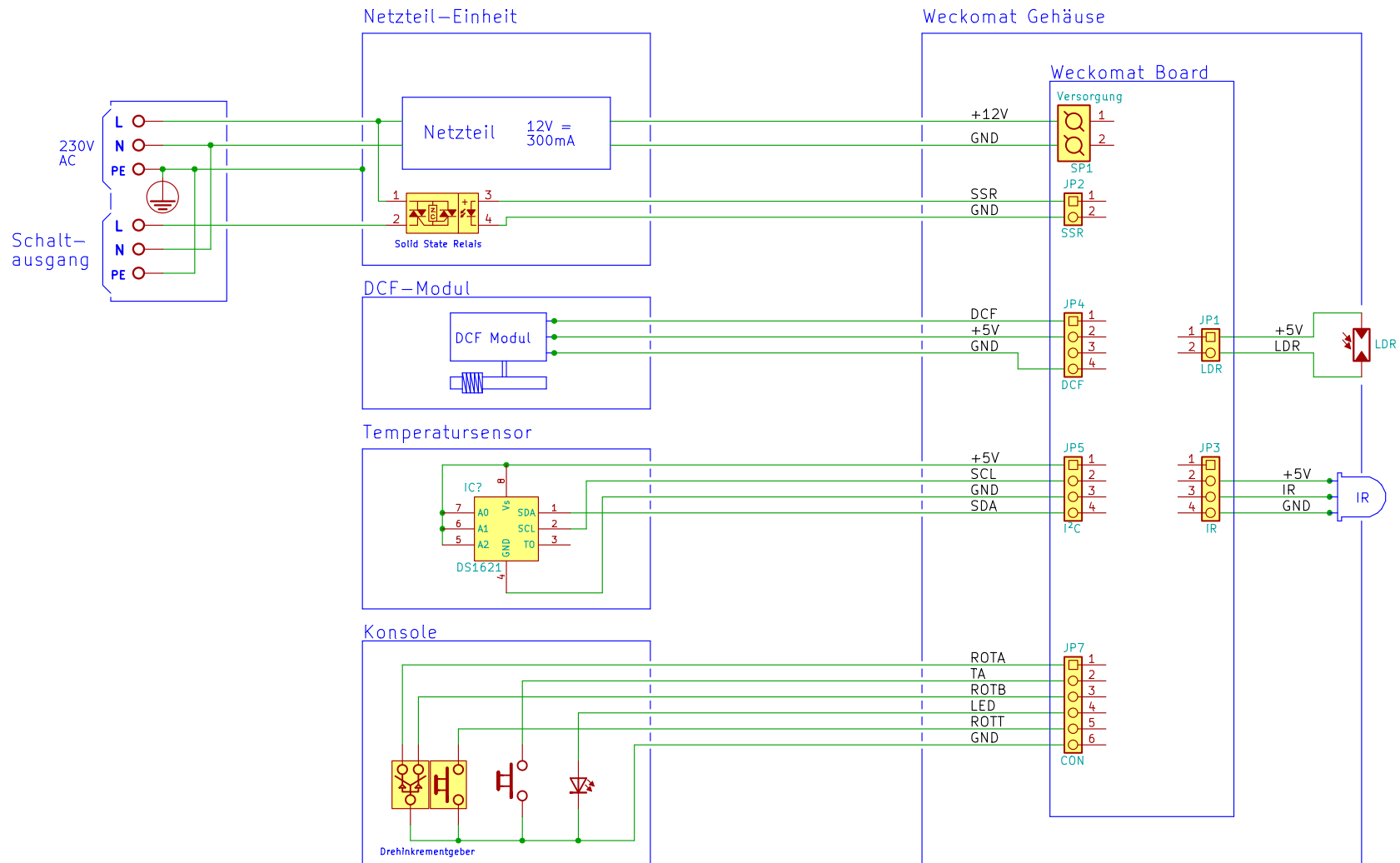


Weckomat Externe Komponenten



© 2009 Reimar Grasbon

File:

Sheet: /

Title: Weckomat, Externe Komponenten

Size: A4 Date: 20 mar 2013

KiCad E.D.A. eschema (2013-03-19 BZR 4004)-stable

Rev:

Id: 1/1